

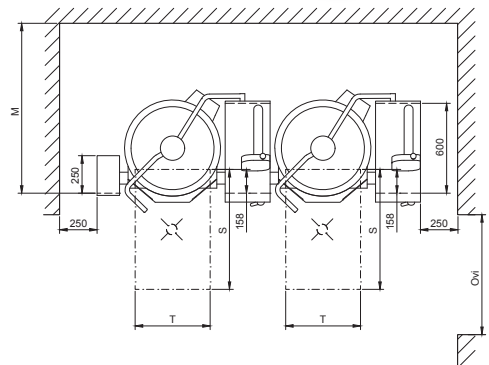
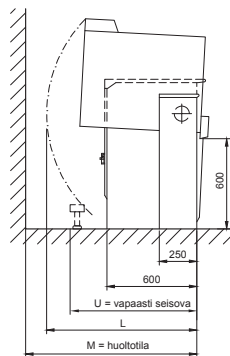
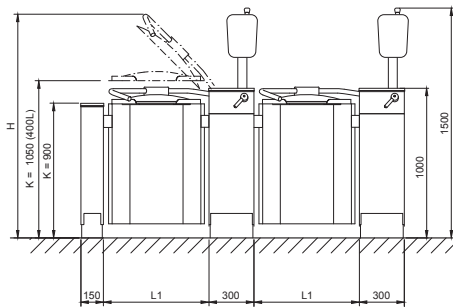
# Viking 4G Steam Static Jacketed Kettle

## Viking 4G 40S (4224120)

### Standard Features

- 40 litre capacity
- Steam heated version
- Elevated control pillar with selected features
- Electromechanical controls
- Stepless temperature control
- Electric tilting – tilting height 600mm
- Auto tilt-back
- Measuring stick
- Retractable handshower
- Strainer plate
- Stainless steel construction
- Unit shown includes free standing floor kit - other options available

Please refer to Moffat price list for options and accessories



### Technical Data

Net Volume 40 L  
Spare Volume 8 L  
Gross Volume 48 L

#### Dimensions

Width 1047mm  
Height 1500mm  
Depth 706mm

#### Connections

Water Cold ø15mm  
Hot ø15mm  
Steam R ¾" 12 kg/hr  
Cond. Outlet R ½"

Electrical Power 0.8 kW  
Voltage 230V,  
1P+N+E 50/60Hz  
AMP 10A

Total Heat 9kW  
Load Latent 0.4 kW,  
Sensible 2.4 kW

Waste By kitchen contractor  
Nett Weight 155 kg

Model	L1 mm	H mm	L mm	M mm	U mm	T mm	Door mm
40S	597	1740	870	1055	860	400	800

**Australia**  
moffat.com.au  
**Moffat Pty Limited**  
740 Springvale Road  
Mulgrave  
Victoria 3170  
Australia  
Telephone +613-9518 3888  
Facsimile +613-9518 3833  
vsales@moffat.com.au

**New Zealand**  
moffat.co.nz  
**Moffat Limited**  
45 Illinois Drive  
Izone Business Hub  
Rolleston 7675  
New Zealand  
Telephone +64 3-983 6600  
Facsimile +64 3-983 6600  
sales@moffat.co.nz



Disclaimer: All unit capacities are based on subjective testing. Moffat accepts no liability for production values. In line with policy to continually develop and improve its products, Moffat Limited reserves the right to change specifications and design without notice.

© Copyright Moffat Ltd  
AN-MET-S-2001

an Ali Group Company



The Spirit of Excellence