

PF33MT

Press Form - 33cm Flat Plates, Mechanical Thermostat



PF33MT

- Heated moulding press for pizza bases
- Maximum operating temperature 180°
- 330mm maximum diameter
- Supplied with flat upper and lower plates
- Fully guarded for operator safety
- Simple and quick operation
- Maximum output 300 pizza bases / hour

ACCESSORIES

- OMSU500 - Painted steel base with stainless steel drawer
- OMSU442 - Painted steel stand with stainless steel drawer
- OMAC210R0 - Set of 4 wheels (2 with brakes)
- OMAL085R0 Anti stick fabric, 700mm wide, per meter

Also Available

- PF33MTSV.2MM - 2mm Flared Upper Plate
- PF33MTSV.4MM - 2mm Flared Upper & Lower Plate
- PF35MT - 350mm Press Form
- PF45MTE - 450mm Press Form
- PF46MT - 460mm Press Form
- PF50MT - 500mm Press Form

PF33MT

Press Form - 33cm Flat Plates, Mechanical Thermostat



moffat.com.au

Australia

Moffat Pty Limited

Victoria/Tasmania

740 Springvale Road
Mulgrave, Victoria 3170
Telephone 03-9518 3888
Facsimile 03-9518 3833
vsales@moffat.com.au

New South Wales

Telephone 02-8833 4111
nswsales@moffat.com.au

South Australia

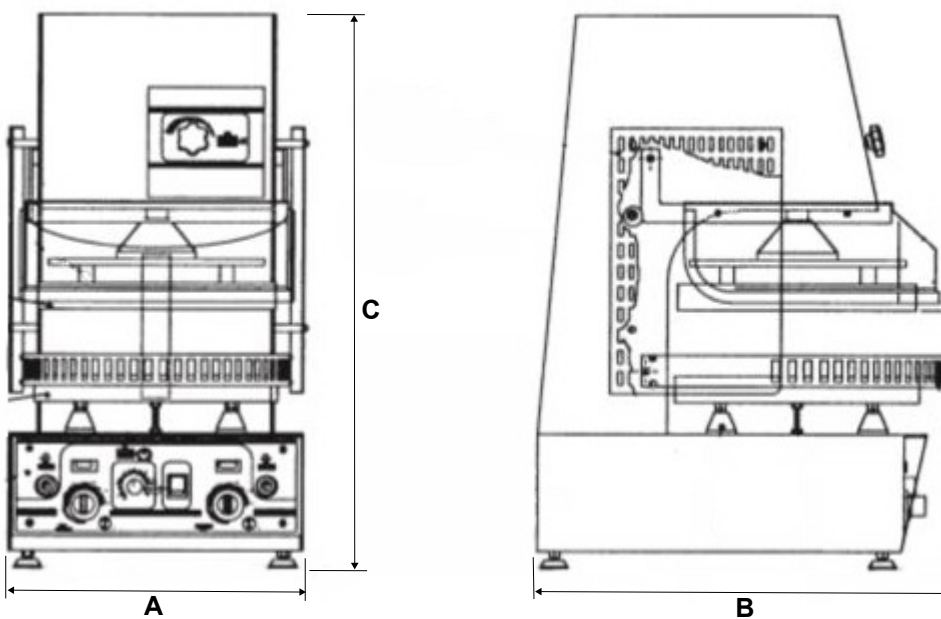
Telephone 03-9518 3888
vsales@moffat.com.au

Queensland

Telephone 07-3630 8600
qldsales@moffat.com.au

Western Australia

Telephone 08-9413 2400
wasales@moffat.com.au



PF33MT

SPECIFICATIONS

External Dimensions

Width (A) 410mm

Depth (B) 550mm

Height (C) 780mm

Electrical Requirements

415V,3P+N+E, 3.25kW

All units fitted with a 5pin, 10amp plug

Plates

PF33MT

Flat upper & lower plates

PF33MTSV.2MM

2mm flared upper plates

PF33MTSV.44MM

2mm flared upper & lower plates

Nett Weight

119kg

Important Notice:
Models and specifications are
subject to change without notice.
This spec sheet is meant for
commercial purpose only. For
technical documentation please
refer to our service manuals.



© Copyright Moffat Ltd
AU.OEM.1901