

PF45DG

Press Form - 45cm Flat Plates, Digital Thermostat



PF45DG
on OMSU452

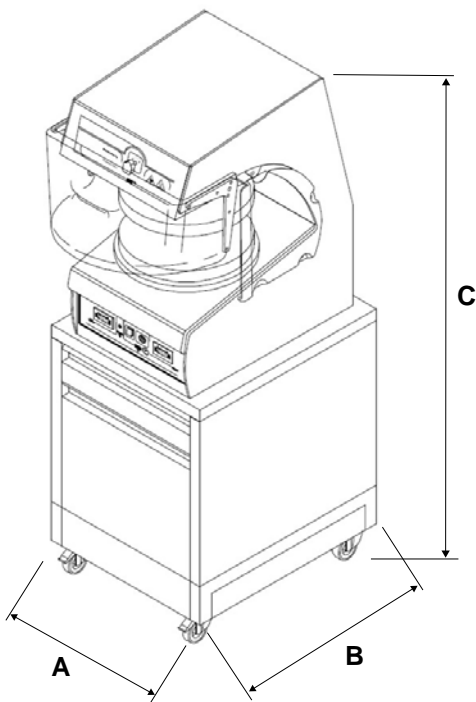
- Heated moulding press for pizza bases
- Maximum output 250 pizza bases / hour
- 180°C maximum operating temperature
- 45cm maximum diameter
- Supplied with flat upper and lower plates
- Fully guarded for operator safety
- Simple and quick operation

ACCESSORIES

- OMSU452 - Painted steel base with stainless steel drawer
W560mm x D680mm x H740mm - 45kg
- OMAC100R0 - Set of 4 wheels (2 with brakes)
- OMAL085R0 Anti stick fabric, 700mm wide, per meter

PF45DG

Press Form - 45cm Flat Plates, Digital Thermostat



PF45DG

SPECIFICATIONS

External Dimensions

Width (A)	550mm
Depth (B)	700mm
Height (C)	810mm

Plates

PF45DG

Flat upper & lower plates

Electrical Requirements

400V, 3P+N+E, 50Hz, 7.95kW

Nett Weight

212kg

moffat.com.au

moffat.co.nz

Australia

moffat.com.au

Moffat Pty Limited

Victoria/Tasmania

740 Springvale Road

Mulgrave, Victoria 3170

Telephone +613-9518 3888

Facsimile +613-9518 3833

vsales@moffat.com.au

New South Wales

Telephone +612-8833 4111

nswsales@moffat.com.au

South Australia

Telephone +613-9518 3888

vsales@moffat.com.au

Queensland

Telephone +617-3630 8600

qldsales@moffat.com.au

Western Australia

Telephone +618-9413 2400

wasales@moffat.com.au

New Zealand

moffat.co.nz

Moffat Limited

Rolleston

45 Illinois Drive

Izone Business Hub

Rolleston 7675

Telephone +64 3-983 6600

Facsimile +64 3-983 6660

sales@moffat.co.nz

Auckland

Telephone +64 9-574 3150

sales@moffat.co.nz



In line with policy to continually develop and improve its products, Moffat Limited reserves the right to change specifications and design without notice. This specification sheet is meant for commercial purpose only. For technical documentation please refer to our service manuals.

© Copyright Moffat Ltd
AN.O03.24