

Egro Next - EGMF KS9 NXT BLK

EGRO NEXT TOP MILK FULLY AUTOMATIC COFFEE MACHINE
WITH KS9 TWIN MILK FRIDGE



STANDARD FEATURES

- Up to 300 cups recommended daily output
- Capacity to deliver 120 / 8oz coffees per hour
- Twin stainless-steel Ditting coffee grinders 54mm burrs
- 2 x 1.3kg coffee bean hopper capacity
- Stainless steel brewing group with 22g coffee capacity
- 10" HD touchscreen interface with unlimited programmable beverages
- Self-Adjusting Grinder (SAG) maintains, corrects grind particle size in real time
- 3 levels tamping pressure and 5 levels of pre-infusion time
- Dual boiler technology – simultaneous coffee, water, steam delivery
- Central hot water outlet for dosing tea beverages and long black bases
- Dual cup bypass solenoid for true long black extraction
- Integrated single powder hot chocolate hopper
- Integrated internal rotary vane water pump
- USB port for transfer of technical data and image / video uploads
- Twin milk gear pump for consistent top-quality milk foam

Milk Fridge

- NMS+ milk system delivers consistent top-quality milk foam for all types of beverages
- Twin milk fridge delivers two types of milk with 4L capacity each

OVERALL CONSTRUCTION

- Compact and powerful super automatic coffee machine just 600mm wide with fridge
- Black powder coated stainless steel exterior panels
- Stainless steel top panels, brewing group, coffee blades

STANDARD BEVERAGES

- Espresso
- Long Black
- Cappuccino
- Latte
- Flat White
- Hot Water

CLEANING AND MAINTENANCE

- 12 month or 40,000 coffee service interval whichever arrives first
- Easy 6-minute daily cleaning programs and rinsing cycles
- Cold milk and coffee line rinsing periodically flushes circuits for peak performance
- Genuine Egro cleaning products sold separately

ACCESSORIES INCLUDED

- Cleaning jug
- Egro coffee cleaning tablets x 100
- Egro milk cleaning tablets x 50
- Cleaning brush
- User manual
- Warranty card

Egros Next - EGMF KS9 NXT BLK

EGRO NEXT TOP MILK FULLY AUTOMATIC COFFEE MACHINE WITH KS9 TWIN MILK FRIDGE

TECHNICAL INFORMATION

ERGO NEXT

Dimensions
 Width: 301mm
 Depth: 576mm
 Height: 771mm
 Nett weight: 57kg
 Steam Boiler: 1.9 litres / 3000w
 Coffee Boiler: 0.5 litres / 3000w

ELECTRICAL

Power requirements: 240V, 1P+N+E, 50/60Hz, 6.6kW, 32A cordset fitted

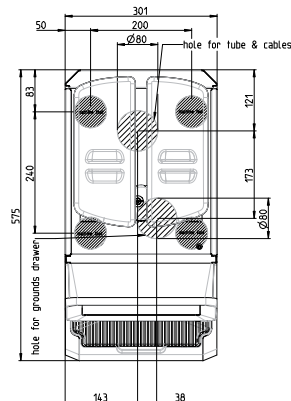
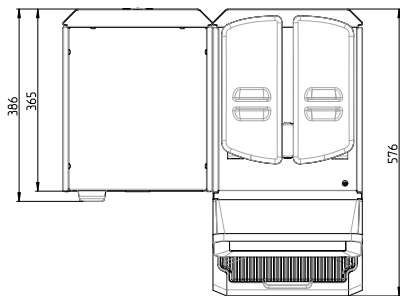
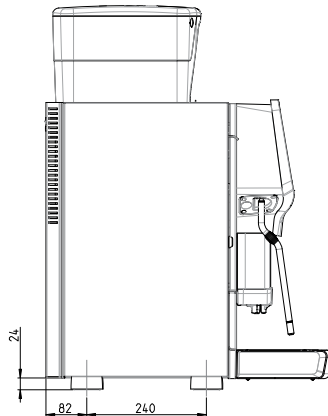
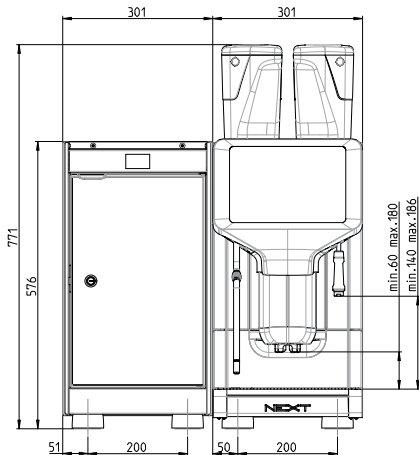


KS9 MILK FRIDGE

Dimensions
 Width: 301mm
 Depth: 386mm
 Height: 576mm
 Nett weight: 29kg
 Milk types: 2
 Milk capacity: 3 litres x 2

ELECTRICAL

Power requirements: 240V, 1P+N+E, 50/60Hz, 6.6kW, 10A cordset fitted



RANCILIO WATER SPECIFICATION

Optimum Parameter Measurement Range

Optimum Parameter	Measurement Range
TDS <135	Never more than 50 PPM more than to Total Hardness
Carbonate Hardness 50 ppm	40-90 ppm
Total Hardness 85 ppm	50-100 ppm
pH (ideal) 7	6.5 – 8.5
Chlorides Cl -	< 30 ppm

WATER CONNECTIONS AND DRAINS

- 40mm PVC drain and waste trap - 300mm upstand
- Mains cold water 3/8" BSP male thread connection
- Option to run on tank water supply
- Flow pressure: 200kPa -500kPa, min 4L/min



Australia
www.moffat.com.au
 New Zealand
www.moffat.co.nz

Australia
 Moffat Pty Limited
 Victoria/Tasmania
 740 Springvale Road
 Mulgrave, Victoria 3170
 Telephone +61 3-9518 3888
 Facsimile +61 3-9518 3833
vsales@moffat.com.au

New South Wales
 Telephone +61 2-8833 4111
nswsales@moffat.com.au

South Australia
 Telephone +61 3-9518 3888
vsales@moffat.com.au

Queensland
 Telephone +61 7-3630 8600
qldsales@moffat.com.au

Western Australia
 Telephone +61 8-9413 2400
wasales@moffat.com.au

New Zealand
 Moffat Limited
 Christchurch
 45 Illinois Drive
 Izone Business Hub
 Rolleston 7675
 Telephone +64 3-983 6600
 Facsimile +64 3-983 6660
sales@moffat.co.nz

Auckland
 Telephone +64 9-574 3150
sales@moffat.co.nz



In line with policy to continually develop and improve its products, Moffat Limited reserves the right to change specifications and design without notice.

© Copyright Moffat Ltd
 AN.RAN.2301