

Technical data sheet for

# GAS RANGE CONVECTION OVEN 900mm – 4 BURNER

RN8910GC



- Heavy-duty construction
- Four 28MJ/hr open burners
- Flame failure standard
- Pilot burners optional
- GN 2/1 gas convection oven
- Drop down door
- Stainless steel exterior
- Easy clean
- Easy service
- Fully modular
- Low back model (RNL) available

## Overall Construction

- Galvanized steel chassis
- Welded hob with 1.5mm stainless steel bull nose
- Splashback and hob sides 1.2mm stainless steel
- Front panels and oven sides 0.9mm stainless steel
- 150mm legs in 63mm dia. heavy-duty 1.2mm stainless steel with adjustable feet

## COOKTOP

- Cast iron 28MJ/hr open burners with forged brass cap
- Vitreous enamelled cast iron potstands
- Vitreous enamelled open burner spill covers
- Stainless steel spill tray

## OVEN

- Fully welded and vitreous enamelled oven liner
- GN 2/1 capacity with 4 position racking
- Heavy-duty easy remove heavy wire chrome rack supports
- Cast iron even heat oven sole plate
- 30MJ oven burner
- Pilot and flame failure with piezo ignition
- 100W heavy-duty motor
- 200mm diameter heavy-duty circulation fan
- Welded frame drop down door with heavy-duty spring hinge system
- 0.9mm stainless steel door outer
- 1.0mm press formed vitreous enamelled door inner
- High density fibreglass insulated
- Stay cool stainless steel door handle with cast metal handle mounts
- Supplied with two chrome wire oven racks

## Controls

- Large easy use control knob - heat resistant reinforced
- Easy view control settings on knob

## COOKTOP

- Variable high to low controls to open burners
- Open burners flame failure standard with pilot burners optional

## OVEN

- 50-320°C thermostatic control
- Indicator lights for power and heating
- Piezo ignition to pilot burner
- Flame failure
- Fan and burner automatic off when door open

## Cleaning and Servicing

- All models with easy clean stainless steel external finish
- Lift off burner heads and vitreous enamelled burner spill covers
- Stainless steel drip tray under open burners
- Bottom sill removable for oven burner and pilot access
- Removable oven racking and sole plate
- Easy clean vitreous enamel oven and door inner
- Door hinge spring adjustable on unit (door outer removed)
- Door disengages for lift off removal and increased service access
- Access to all parts from front of unit

Technical data sheet for

# GAS RANGE CONVECTION OVEN 900mm – 4 BURNER



## Specifications

### Burners

Open Burners 28MJ/hr dual flame ring with simmer rate  
Oven 30MJ tubular under cast iron sole plate

### Gas power

142MJ/hr, 40kW

### Oven Fan Motor

100W

### Electrical requirements

0.13kW

230-240Vac, 50/60hz, 1P+N+E, 0.6A

### Oven Dimensions

Width 665mm

Depth 590mm

Height 385mm

Rack size 660mm x 540mm

Rack positions 4

### Gas connection

R 3/4 (BSP) male

Optional underside connection, please specify when ordering

All units supplied with Natural and LP gas regulator

### DIMENSIONS

Width 900mm

Depth 805mm

Height 915mm

Incl. splashback 1130mm

Incl. low back 970mm

### NETT WEIGHT

215kg

### PACKING DATA

1.03m<sup>3</sup>, 280kg

Width 945mm

Depth 870mm

Height 1255mm

### GAS TYPES

Available in Natural gas and LP gas, please specify when ordering

Units supplied complete with gas type conversion kits

Other gas types on request

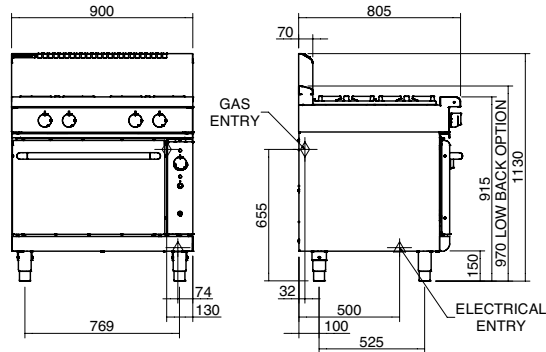
### OPTIONS AT EXTRA COST

Joining caps

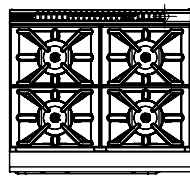
Castors

Plinth mounting

RN8910GC



RN8910GC



[moffat.com.au](http://moffat.com.au)  
[moffat.co.nz](http://moffat.co.nz)

Australia  
[moffat.com.au](http://moffat.com.au)

### Moffat Pty Limited

Victoria/Tasmania  
740 Springvale Road  
Mulgrave, Victoria 3170  
Telephone +613-9518 3888  
Facsimile +613-9518 3833  
[vsales@moffat.com.au](mailto:vsales@moffat.com.au)

New South Wales  
Telephone +612-8833 4111  
[nswsales@moffat.com.au](mailto:nswsales@moffat.com.au)

South Australia  
Telephone +613-9518 3888  
[vsales@moffat.com.au](mailto:vsales@moffat.com.au)

Queensland  
Telephone +617-3630 8600  
[qldsales@moffat.com.au](mailto:qldsales@moffat.com.au)

Western Australia  
Telephone +618-9413 2400  
[wasaales@moffat.com.au](mailto:wasaales@moffat.com.au)

### New Zealand

[moffat.co.nz](http://moffat.co.nz)

### Moffat Limited

Rolleston  
45 Illinois Drive  
Izone Business Hub  
Rolleston 7675  
Telephone +64 3-983 6600  
Facsimile +64 3-983 6660  
[sales@moffat.co.nz](mailto:sales@moffat.co.nz)

Auckland  
Telephone +64 9-574 3150  
[sales@moffat.co.nz](mailto:sales@moffat.co.nz)



Cert. No. 6913

In line with policy to continually develop and improve its products, Moffat Limited reserves the right to change specifications and design without notice.

© Copyright Moffat Ltd  
AN.W8.08/19

an Ali Group Company



The Spirit of Excellence