

## Gas Range Electric Static Oven 900mm - 4 Burner

RNLB8910GE



- Heavy-duty construction
- Four 28MJ/hr open burners
- Flame failure standard
- Pilot burners optional
- Optional simmer plates
- GN 2/1 6.5kW electric static oven
- Drop down door
- Stainless steel exterior
- Black vitreous enamel finish to front panels
- Easy clean
- Easy service
- Fully modular

### OVERALL CONSTRUCTION

- Galvanized steel chassis
- Welded hob with 1.5mm stainless steel bull nose
- Splashback and hob sides 1.2mm stainless steel
- Front panels and oven sides 0.9mm stainless steel
- 150mm legs in 63mm dia. heavy-duty 1.2mm stainless steel with adjustable feet

### COOKTOP

- Cast iron 28MJ/hr open burners with forged brass cap
- Vitreous enamelled cast iron potstands
- Stainless steel open burner spill covers
- Stainless steel spill tray

### OVEN

- Fully welded and vitreous enamelled oven liner
- GN 2/1 capacity with 4 position racking
- Heavy-duty easy remove heavy wire chrome rack supports
- Cast iron even heat oven sole plate
- 6.5kW heating elements
- Welded frame drop down door with heavy-duty spring hinge system
- 0.9mm stainless steel door outer
- 1.0mm press formed vitreous enamelled door inner
- High density fibreglass insulated
- Stay cool stainless steel door handle with cast metal handle mounts
- Supplied with two chrome wire oven racks

### CONTROLS

- Large easy use control knob - heat resistant reinforced
- Easy view control settings on knob

### COOKTOP

- Variable high to low controls to open burners
- Open burners flame failure standard with pilot burners optional

### OVEN

- Separate temperature and top heat power regulation controls
- 50-320°C thermostatic control
- Lo-Hi top heat control
- Indicator lights for power and heating

### CLEANING AND SERVICING

- All models with easy clean stainless steel external finish
- Lift off burner heads
- Stainless steel drip tray under open burners
- Bottom sill removable for oven burner and pilot access
- Removable oven racking and sole plate
- Easy clean vitreous enamel oven and door inner
- Door hinge spring adjustable on unit (door outer removed)
- Door disengages for lift off removal and increased service access
- Access to all parts from front of unit

### Series Options

RNLB - Low back models

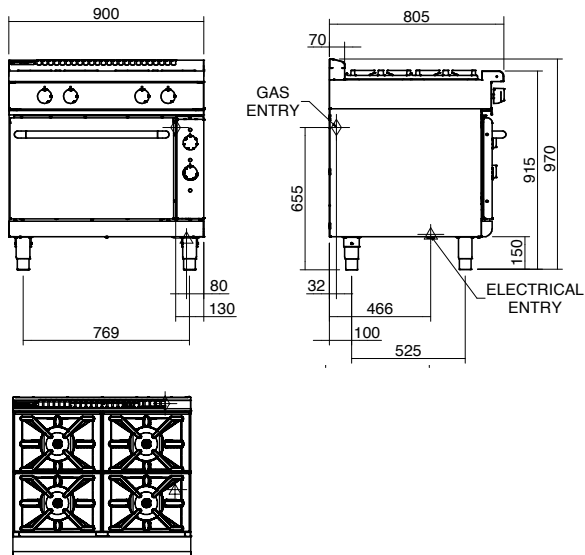
RNB - 215mm splashback option

---

# Waldorf Bold

## Gas Range Electric Static Oven 900mm - 4 Burner

RNLB8910GE



### SPECIFICATIONS

#### Burners

Open Burners 28MJ/hr dual flame ring with simmer rate

#### Oven elements

4.5kW bottom heat element

2.0kW top heat element

#### Gas power (gross)

112MJ/hr, 31kW

#### Electrical requirements

6.5kW

1 phase connection:

230 - 240 VAC, 50/60 Hz, 1P+N+E, 27A

3 phase connection:

400 - 415 VAC, 50/60 Hz, 3P+N+E,

L1 9.4A

L2 9.4A

L3 8.3A

#### Oven Dimensions

Width 665mm

Depth 590mm

Height 385mm

Rack size 660mm x 540mm

Rack positions 4

#### Gas connection

R ¾ (BSP) male

Optional underside connection, please specify when ordering

All units supplied with Natural and LP gas regulator

#### Electrical connection

23mm from RH side, 484mm from rear and 150mm from floor

#### Dimensions

Width 900mm

Depth 805mm

Height 915mm

Incl. low back 970mm

Incl. splashback option 1130mm

#### Nett weight

215kg

#### Packing data

1.03m<sup>3</sup>, 280kg

Width 945mm

Depth 870mm

Height 1255mm

#### Gas types

Available in Natural gas and LP gas

Please specify when ordering

Units supplied complete with gas type conversion kits

Other gas types on request

#### OPTIONS AT EXTRA COST

Joining caps

Castors

Plinth mounting

**MOFFAT**

moffat.com.au  
moffat.co.nz

#### Australia

moffat.com.au

#### Moffat Pty Limited

Victoria/Tasmania  
740 Springvale Road  
Mulgrave, Victoria 3170  
Telephone +613-9518 3888  
Facsimile +613-9518 3833  
vsales@moffat.com.au

New South Wales  
Telephone +612-8833 4111  
nswsales@moffat.com.au

South Australia  
Telephone -613-9518 3888  
vsales@moffat.com.au

Queensland  
Telephone +617-3630 8600  
qldsals@moffat.com.au

Western Australia  
Telephone 618-9413 2400  
wasales@moffat.com.au

#### New Zealand

moffat.co.nz

#### Moffat Limited

Rolleston  
45 Illinois Drive  
Izone Business Hub  
Rolleston 7675  
Telephone +64 3-983 6600  
Facsimile +64 3-983 6660  
sales@moffat.co.nz

Auckland  
Telephone +64 9-574 3150  
sales@moffat.co.nz



ISO9001  
Quality  
Management  
Standard

Designed and manufactured by



ISO9001

All Waldorf Bold products are designed and manufactured by Moffat using the internationally recognised ISO9001 quality management system, covering design, manufacture and final inspection, ensuring consistent high quality at all times.

In line with policy to continually develop and improve its products, Moffat Limited reserves the right to change specifications and design without notice.

© Copyright Moffat Ltd  
AN.WBD.S.02.19

an Ali Group Company



The Spirit of Excellence