

## RP1RG, RP2R Retarder Prover

### Product Features

- Full stainless steel construction internal and external
- Easy to use electronic panel
- Fitted with insulated floor as standard
- Accommodates racks at 750mm x 525mm
- Humidity adjustable up to 100%
- Temperature adjustable up to 40°C
- Refrigeration adjustable down to -2°C
- Cabinet supplied complete
- RP1RG: Single swing door with fixed glass panel
- RP2R: Solid 2 swing doors



RP1RG

Sourced from the leading equipment manufacturers globally, the Paramount brand is renowned for quality equipment at an affordable price point. With a range including spiral dough mixers, hydraulic dividers, bun divider rounders, provers, deck and rotating ovens, bread slicers, planetary mixers and dough sheeters, Paramount offers solutions to your production requirements. Designed to withstand the demands of the modern bakery environment, the Paramount brand offers many years of trouble free operation.

A critical component in the quality of baked finish goods, our quality range of provers and retarder provers provide controlled climates with adjustable temperature and humidity settings.

# RP1RG, RP2R Retarder Prover

### Model RP1RG

Capacity 1 rack  
**Dimensions**  
 Width 780mm  
 Depth 1150mm  
 Height 2310mm  
**Electrical Requirements**  
 220-240V, 1P+N+E, 50Hz, 15amp  
 Nett Weight 120kg

### Model RP2R

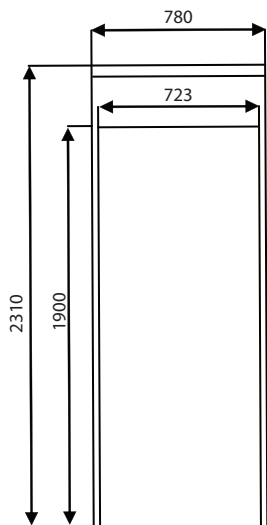
Capacity 2 rack  
**Dimensions**  
 Width 1860mm  
 Depth 1200mm  
 Height 2390mm  
**Electrical Requirements**  
 400-415V, 3P+N+E, 50Hz, 20amp  
 Nett Weight 170kg

### Additional Information

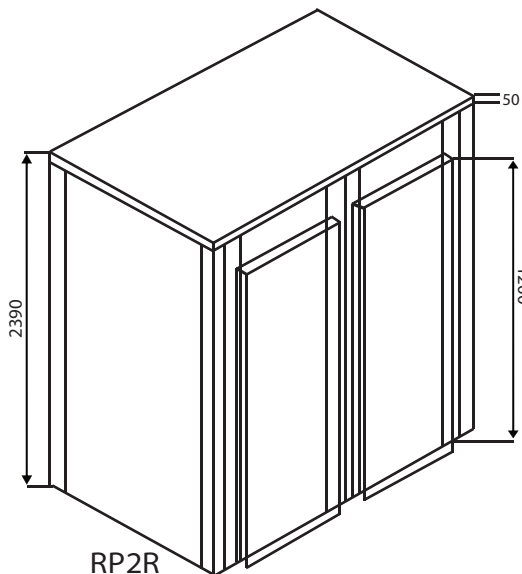
Dimensions EXCLUDE all protrusions - door handles, drain exits etc...  
 Minimum ceiling height required: 2600mm  
 Refrigeration requires assembly, connection and gassing

### Units require the following:

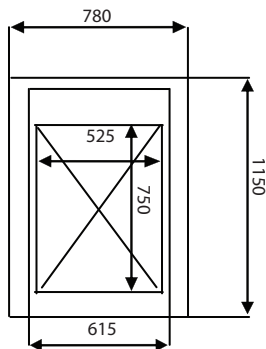
- Drain Outlet
- ½" BSP Inlet



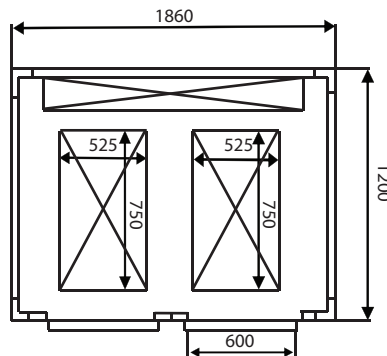
RP1RG



RP2R



Door opening direction



moffat.com.au  
 moffat.co.nz

Australia  
 moffat.com.au

Moffat Pty Limited  
 Victoria/Tasmania  
 740 Springvale Road  
 Mulgrave, Victoria 3170  
 Telephone +613-9518 3888  
 Facsimile +613-9518 3833  
 vsales@moffat.com.au

New South Wales  
 Telephone +612-8833 4111  
 nswsales@moffat.com.au

South Australia  
 Telephone +613-9518 3888  
 vsales@moffat.com.au

Queensland  
 Telephone +617-3630 8600  
 qldsales@moffat.com.au

Western Australia  
 Telephone +618-9413 2400  
 wasales@moffat.com.au

New Zealand  
 moffat.co.nz

Moffat Limited  
 Rolleston  
 45 Illinois Drive  
 Izone Business Hub  
 Rolleston 7675  
 Telephone +64 3-983 6600  
 Facsimile +64 3-983 6660  
 sales@moffat.co.nz

Auckland  
 Telephone +64 9-574 3150  
 sales@moffat.co.nz



In line with policy to continually develop and improve its products, Moffat Limited reserves the right to change specifications and design without notice.

© Copyright Moffat Ltd  
 AN.P.01.21

an Ali Group Company



The Spirit of Excellence