

RT68CG-DT, RT68CGP-DT

Rotor Gas Rotating Single Rack Oven

Product Features

- Fitted with Automatic lift system or Rotating platform
- Over-dimensioned steam generator for high steam production
- Stainless steel interior and front
- Double glass door insert, with internal light removable for easy service
- Reinforced entrance ramp
- Triple air channels, completely adjustable, delivering air circulation from the bottom to the top, assuring the baking uniformity on the total rack
- Automatic steam release valve
- Stainless steel hood with 2 speed exhaust fan
- Time and temperature display included on front of hood
- Five speed air circulating fans inside the baking chamber
- Programmable touch control panel for storing of 99 memories
- Gas model



RT68CG-DT

Tagliavini has a rich history of manufacturing rotating rack and deck ovens that deliver outstanding baking performance. Located in Parma, Italy, Tagliavini has been producing high-quality, high-performing baking equipment since 1934. With a clear focus on energy efficiency and reliability, Tagliavini ovens are built to last in the most demanding of baking environments, all the while delivering incredible baking results

The Tagliavini range includes single and double rack ovens in both electric and gas heated options, modular deck ovens from 2 to 24 tray capacity, Artisan deck ovens up to 24.7 sqm of baking surface and available with integrated loader options, Convection and Pizza deck ovens.

RT68CG-DT, RT68CGP-DT

Rotor Gas Rotating Single Rack Oven

Model RT68CG-DT

Fitted with Automatic lift system

Dimensions

Width 1450mm
 Depth (inc Hood) 2540mm + 42mm
 Height (inc Extraction) 2822mm

Electrical Requirements

400-415V, 3P+N+E, 50Hz, 1.5kW, 200MJ/h

Model RT68CGP-DT

Rotating platform

Dimensions

Width 1450mm
 Depth (inc Hood) 2540mm + 42mm
 Height (inc Extraction) 2822mm

Electrical Requirements

400-415V, 3P+N+E, 50Hz, 1.5kW, 200MJ/h

moffat.com.au

moffat.co.nz

Australia

moffat.com.au

Moffat Pty Limited

Victoria/Tasmania

740 Springvale Road
 Mulgrave, Victoria 3170
 Telephone +613-9518 3888
 Facsimile +613-9518 3833
 vsales@moffat.com.au

New South Wales

Telephone +612-8833 4111
 nswsales@moffat.com.au

South Australia

Telephone +613-9518 3888
 vsales@moffat.com.au

Queensland

Telephone +617-3630 8600
 qldsales@moffat.com.au

Western Australia

Telephone +618-9413 2400
 wasales@moffat.com.au

New Zealand

moffat.co.nz

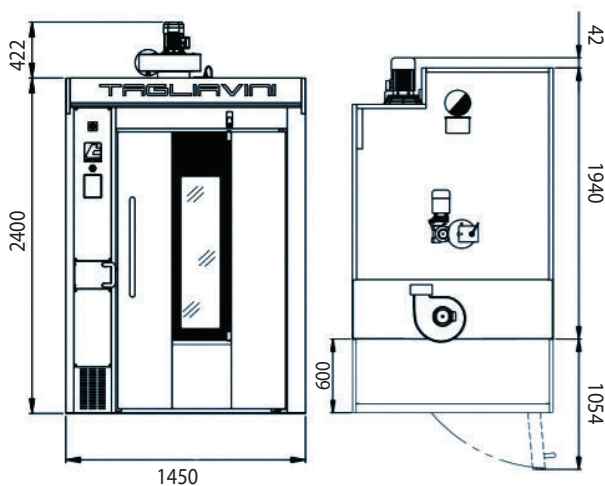
Moffat Limited

Rolleston

45 Illinois Drive
 Izone Business Hub
 Rolleston 7675
 Telephone +64 3-983 6600
 Facsimile +64 3-983 6660
 sales@moffat.co.nz

Auckland

Telephone +64 9-574 3150
 sales@moffat.co.nz



In line with policy to continually develop and improve its products, Moffat Limited reserves the right to change specifications and design without notice. This specification sheet is meant for commercial purpose only. For technical documentation please refer to our service manuals.

© Copyright Moffat Ltd
 AN.T01.24

an Ali Group Company



The Spirit of Excellence