

STM615 Econom Bench Top Sheeter

Product Features

- Bench mounted manual pastry sheeter
- Side push button control
- Pistol grip roller adjustment
- Fold up tables
- Roller gap 0.5 – 30mm
- Roller width 633mm
- Table width 620mm
- Conveyor belt width 605mm
- Overall conveyor length 2420mm
- Speed of discharge conveyor 50cm/sec
- Recommended dough block weight 6 – 8kg



STM615

Rondo is highly regarded Swiss manufacturer of machines for the production of pastry and dough of all types. Rondo is the world leader in the sheeting and laminating technology and can provide the equipment you require, be it for a small Artisan baker or a high volume industrial production facility.

Rondo machines are the result of continuous work on addressing customer-specific needs over the course of 65 years. Rondo engineers, food technologists and master bakers all work together with a single aim - dough sheeters that lead the way in durability, efficiency and adaptability, with a range sized from a compact version to large high-performance machines capable of processing larger amounts of dough over multiple shifts.

STM615 Econom Bench Top Sheeter

Model STM615

Dimensions

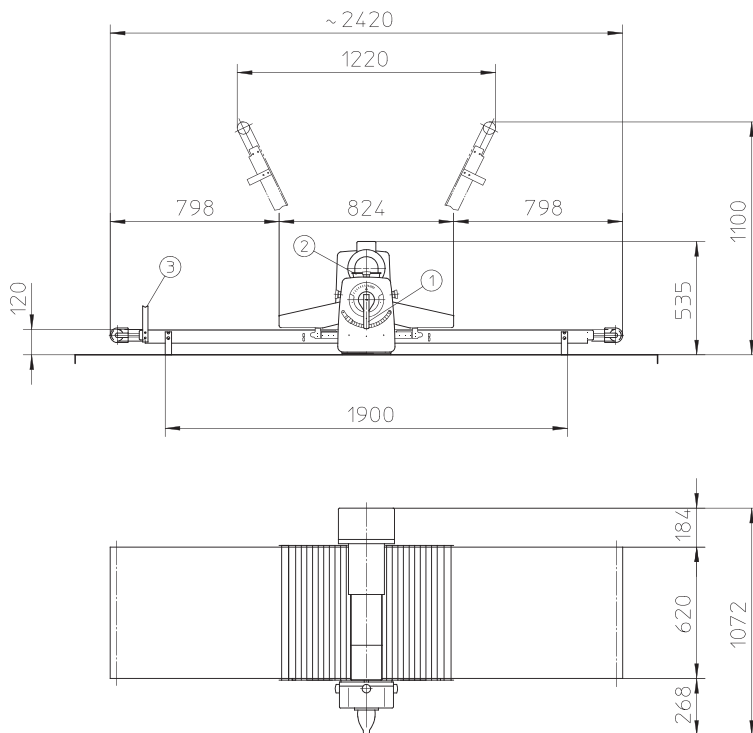
Width 2420mm
Depth 1072mm
Height 535mm

Dimensions (Folded)

Width 1220mm
Depth 1072mm
Height 1100mm

Electrical Requirements

400-415V, 3P+E, 50Hz, 0.5kW
Nett Weight 95kg



moffat.com.au

Australia

moffat.com.au

Moffat Pty Limited

Victoria/Tasmania

740 Springvale Road
Mulgrave, Victoria 3170
Telephone +613-9518 3888
Facsimile +613-9518 3833
vsales@moffat.com.au

New South Wales

Telephone +612-8833 4111
nswsales@moffat.com.au

South Australia

Telephone +613-9518 3888
vsales@moffat.com.au

Queensland

Telephone +617-3630 8600
qldsales@moffat.com.au

Western Australia

Telephone +618-9413 2400
wasales@moffat.com.au



In line with policy to continually develop and improve its products, Moffat Limited reserves the right to change specifications and design without notice. This specification sheet is meant for commercial purpose only. For technical documentation please refer to our service manuals.

© Copyright Moffat Ltd
AN.R0121

an Ali Group Company



The Spirit of Excellence