

## **SYNCRO120, SYNCRO120M, SYNCRO160, SYNCRO160M** Roll Divider Rounder

### Product Features

- Dough divider rounder for rolls of 30 - 120 or 60 - 160 grams
- LCD panel with drive controller for operator ease
- Output range 1500 - 3500 pieces per hour
- Stress free dividing followed by double rounding
- Dough hopper for up to 12.5kg of dough
- Large weight range without the need to change pistons or rounding drums
- High accuracy and optimal rounding results
- On wheels for easy mobility
- Stainless steel doors and removable panels for quick maintenance
- Image shows Model 120M - fitted with optional long moulder for finger buns and hot dog rolls



**SYNCRO120M**

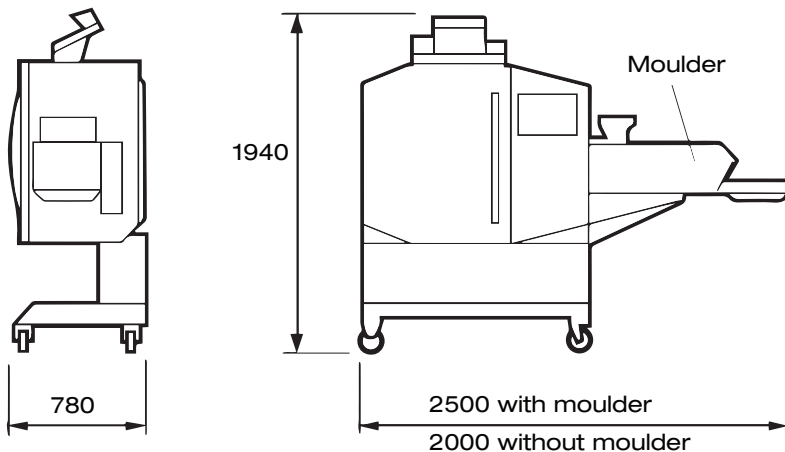
Artezen Equipment offers modern and flexible dough handling solutions to the baking industry by using well tested techniques turned into up-to-date technology. Our range covers the vital parts of the dough handling system required to produce appealing and tasty product while also meeting future consumer demands. Our significant advantages include superior weight and structural accuracy of the products, intuitive and user friendly operating system, guaranteed reliability and professional support.

# SYNCRO120, SYNCRO120M, SYNCRO160, SYNCRO160M

## Roll Divider Rounder

Models	Roll Weight (grams)	External Dimensions (mm)			Kilowatt	Weight (kg)
		With (A)	Depth (B)	Height (C)		
SYNCRO120	30-120	2000	780	1940	1.2kW	640
SYNCRO120M	30-120	2500	780	1940	1.9kW	770
SYNCRO160	60-160	2000	780	1940	1.2kW	640
SYNCRO160M	60-160	2500	780	1940	1.9kW	770

Electrical Requirements:  
400-415V, 3P+N+E, 50Hz



moffat.com.au  
moffat.co.nz

Australia  
moffat.com.au

Moffat Pty Limited

Victoria/Tasmania  
740 Springvale Road  
Mulgrave, Victoria 3170  
Telephone +613-9518 3888  
Facsimile +613-9518 3833  
vsales@moffat.com.au

New South Wales  
Telephone +612-8833 4111  
nswsales@moffat.com.au

South Australia  
Telephone +613-9518 3888  
vsales@moffat.com.au

Queensland  
Telephone +617-3630 8600  
qldsales@moffat.com.au

Western Australia  
Telephone +618-9413 2400  
wasales@moffat.com.au

New Zealand  
moffat.co.nz

Moffat Limited

Rolleston  
45 Illinois Drive  
Izone Business Hub  
Rolleston 7675  
Telephone +64 3-983 6600  
Facsimile +64 3-983 6600  
sales@moffat.co.nz

Auckland  
Telephone +64 9-574 3150  
sales@moffat.co.nz



In line with policy to continually develop and improve its products, Moffat Limited reserves the right to change specifications and design without notice. This specification sheet is meant for commercial purpose only. For technical documentation please refer to our service manuals.

© Copyright Moffat Ltd  
ANA1021