

**VALIDOEVO435BDG**  
**VALIDOEVO835BDG**  
Electric Pizza Deck Oven



**VALIDOEVO435BDG**

- Single or Double chamber electric deck oven
- Digital controls (**DG**)
- Downward opening door design
- Easy read internal temperature display
- 400°C maximum working temperature
- Independent control for top and bottom heat
- Refractory stone baking surface, 19mm thick
- Bake direct on the stone or in trays
- Internal halogen light
- Stainless steel front, door and handle



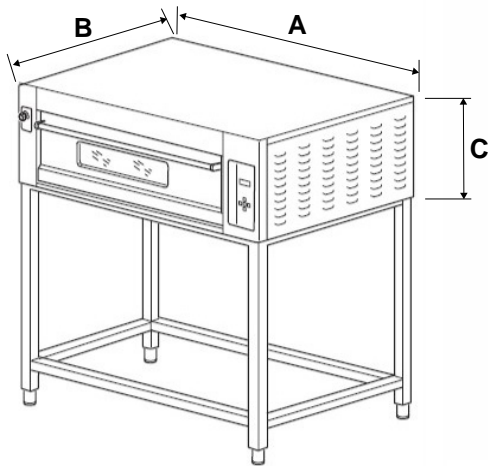
**VALIDOEVO835BDG**  
(on OMSU501)

**ACCESSORIES**

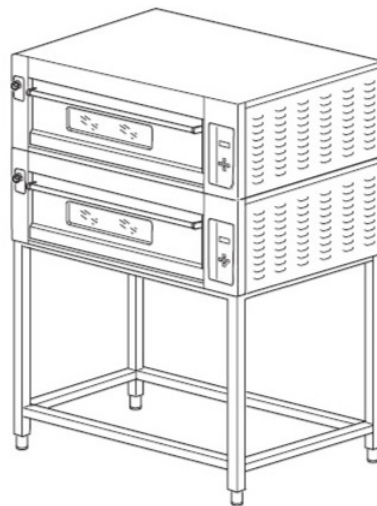
- OMSU501 - Painted steel stand - W1083mm x D895mm X H900mm  
Adjustable height on wheels - 45kg

# VALIDOEVO435BDG VALIDOEVO835BDG

## Electric Pizza Deck Oven



VALIDOEVO435BDG



VALIDOEVO835BDG

### SPECIFICATIONS - VALIDOEVO435BDG

#### External Dimensions

Width (A)	1083mm
Depth (B)	972mm
Height (C)	409mm

#### Internal Dimensions

Width (A)	759mm
Depth (B)	738mm
Height (C)	100mm

#### Electrical Requirements

400V, 3P+N+E, 50Hz, 8.4kW

#### Nett Weight

161kg

### SPECIFICATIONS - VALIDOEVO835BDG

#### External Dimensions

Width (A)	1083mm
Depth (B)	972mm
Height (C)	799mm

#### Internal Dimensions

Width (A)	759mm
Depth (B)	738mm
Height (C)	100mm

#### Electrical Requirements

400V, 3P+N+E, 50Hz, 16.8kW

#### Nett Weight

290kg

moffat.com.au

moffat.co.nz

Australia

moffat.com.au

Moffat Pty Limited

Victoria/Tasmania

740 Springvale Road

Mulgrave, Victoria 3170

Telephone +613-9518 3888

Facsimile +613-9518 3833

vsales@moffat.com.au

New South Wales

Telephone +612-8833 4111

nswsales@moffat.com.au

South Australia

Telephone +613-9518 3888

vsales@moffat.com.au

Queensland

Telephone +617-3630 8600

qldsales@moffat.com.au

Western Australia

Telephone +618-9413 2400

wasales@moffat.com.au

New Zealand

moffat.co.nz

Moffat Limited

Rolleston

45 Illinois Drive

Izone Business Hub

Rolleston 7675

Telephone +64 3-983 6600

Facsimile +64 3-983 6660

sales@moffat.co.nz

Auckland

Telephone +64 9-574 3150

sales@moffat.co.nz



In line with policy to continually develop and improve its products, Moffat Limited reserves the right to change specifications and design without notice.

This specification sheet is meant for commercial purpose only. For technical documentation please refer to our service manuals.

© Copyright Moffat Ltd  
AN.O04.24

an Ali Group Company



The Spirit of Excellence