

WD-4S-Basic-HRU ERGONOMIC UNDERCOUNTER GLASSWASHER

STANDARD FEATURES:

- High quality Swedish design
- ECO-Flow, Heat recovery unit uses heat and steam in created in washing process to heat incoming cold water.
- Eco -Flow reduces running costs and speeds up drying times.
- Washes up to 35 baskets per hour.
- 3 cycles – 72 / 144 / 252 seconds (adjustable)
- 2.4Ltrs per cycle water consumption.
- 20 litre Deep draw wash tank.
- Fits standard 500mm basket.
- Tall 330mm useable wash height.
- Fast recovery on cold water
- Silent operation, only 61dB
- Smart touch display - simplifies operation.
- One touch water change – drains, self-cleans & refills in 10 minutes.
- Self-cleaning cycle.
- Hygienic Door opening.
- Break tank with rinse booster pump.
- Drain pump with auto drain.
- Detergent & Rinse Aid pumps.
- Easy to service from the front.
- Polish free compatible with BWT Reverse Osmosis water filters.

Upgrades and options are available, please contact Moffat for more details.

TECHNICAL INFORMATION:

Dimensions

Width: 598mm
Depth: 598mm
Height: 820mm

Water

Cold Water, can be connected to RO.
Pressure: 100-350kPa
Flow: 8 litres per min.
Water quality:
70-125ppm
pH 6.5-8.5
Chloride - max. 60mg/L
Free Chloride – max. 0.2mg/L
Sulphate – max. 150mg/L
Iron – max. 0.1mg/L
Monochloramine – max. 0.2mg/L

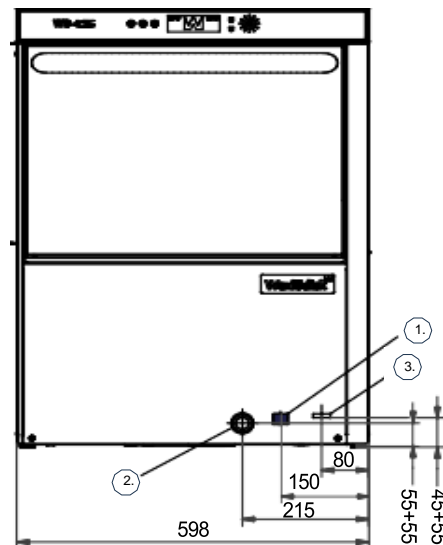
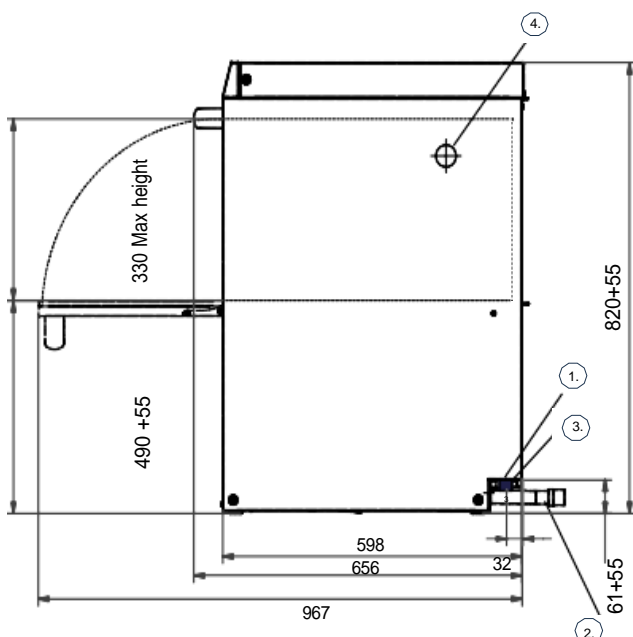
Waste

Connection: 22mm dia. Direct

Electrical

3P+N+E 400-415V 50/60Hz
7.65kW 15A with plug & lead
Supplied

Refer operator manual for complete installation instructions.



- 1 Water connection, ext. thread R3/4"
- 2 Drain connection, flexible hose Ø22mm length 2m
- 3 Electrical connection cable length 2m
- 4 Non-return valve / Vacuum valve



Australia
moffat.com.au
Moffat Pty Limited
740 Springvale Road
Mulgrave
Victoria 3170
Australia
Telephone +613-9518 3888
Facsimile +613-9518 3833
vsales@moffat.com.au

New Zealand
moffat.co.nz
Moffat Limited 45
Illinois Drive
Izone Business Hub
Rolleston 7675 New
Zealand
Telephone +64 3-983 6600
Facsimile +64 3-983 6660
sales@moffat.co.nz

In line with policy to continually develop and improve its products, Moffat Limited reserves the right to change specifications and design without notice.